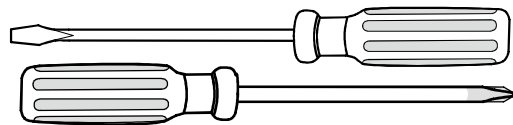
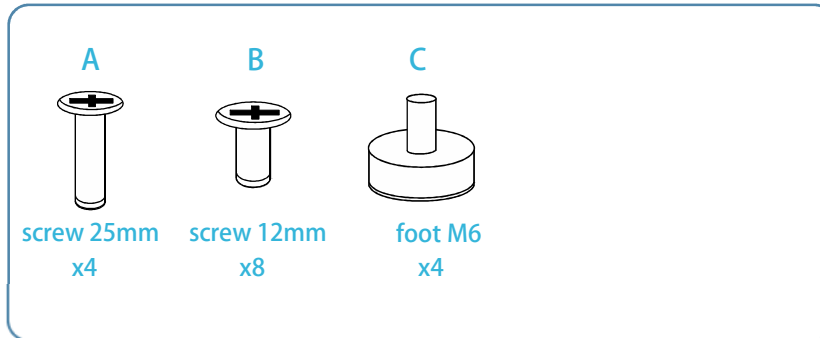


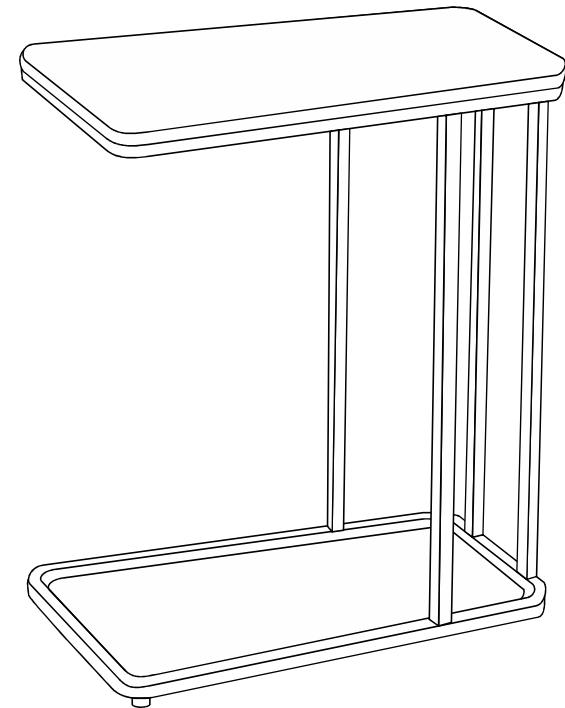
Brixton

Side Table - Rectangle

Thank you for your purchase. Please follow the instructions for correct assembly. While we took great effort to ensure these assembly instructions were correct at the time of printing, sometimes updates are required post production. For the most up to date versions please refer to the product page on our website. mocka.com.au/mocka.co.nz



Phillips & Flathead screwdrivers required.
For quicker assembly, we recommend the
use of a power drill on a low-speed setting.

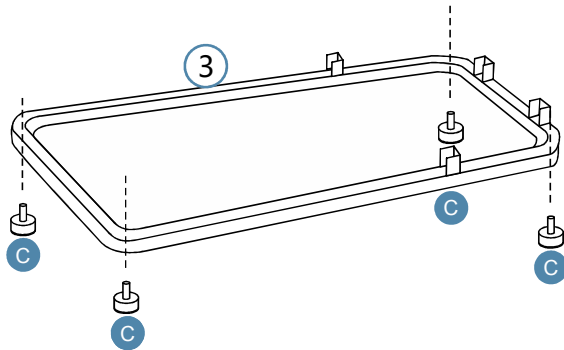


Mocka.

Brixton

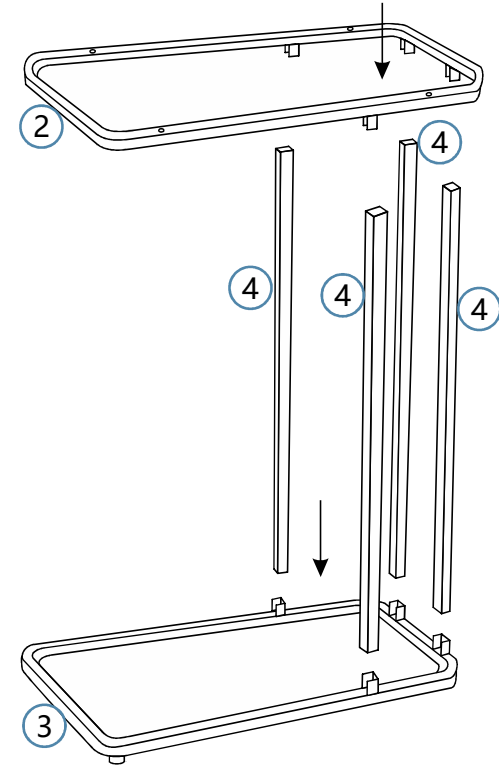
Side Table - Rectangle

1



Insert 4 x foot (C) into metal frame [3].

2

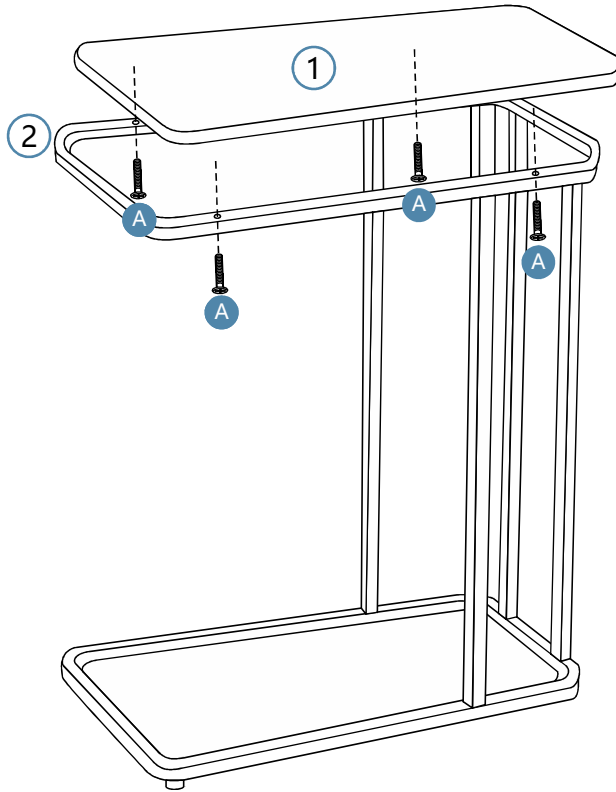


Attach metal frames [2] and [3] with metal frame [4].

Brixton

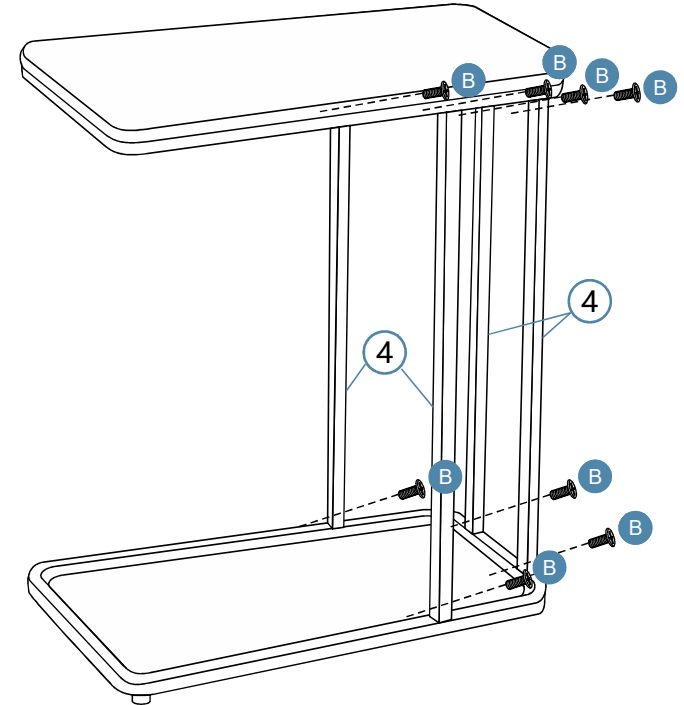
Side Table - Rectangle

3



Attach panel [1] to metal frame [2] with 4 x screws (A).

4

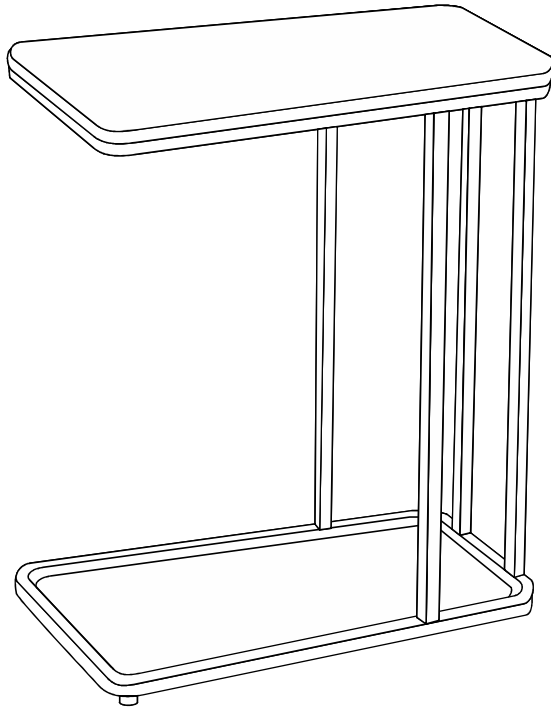


Tighten metal frames [4] with 8 x screws (B).

Brixton

Side Table - Rectangle

5



You`re done, enjoy!